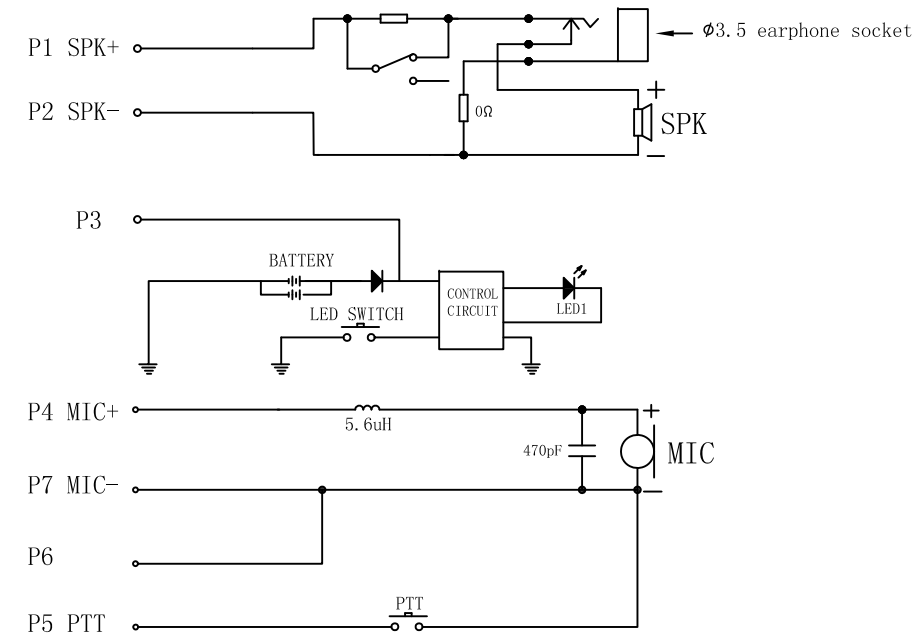
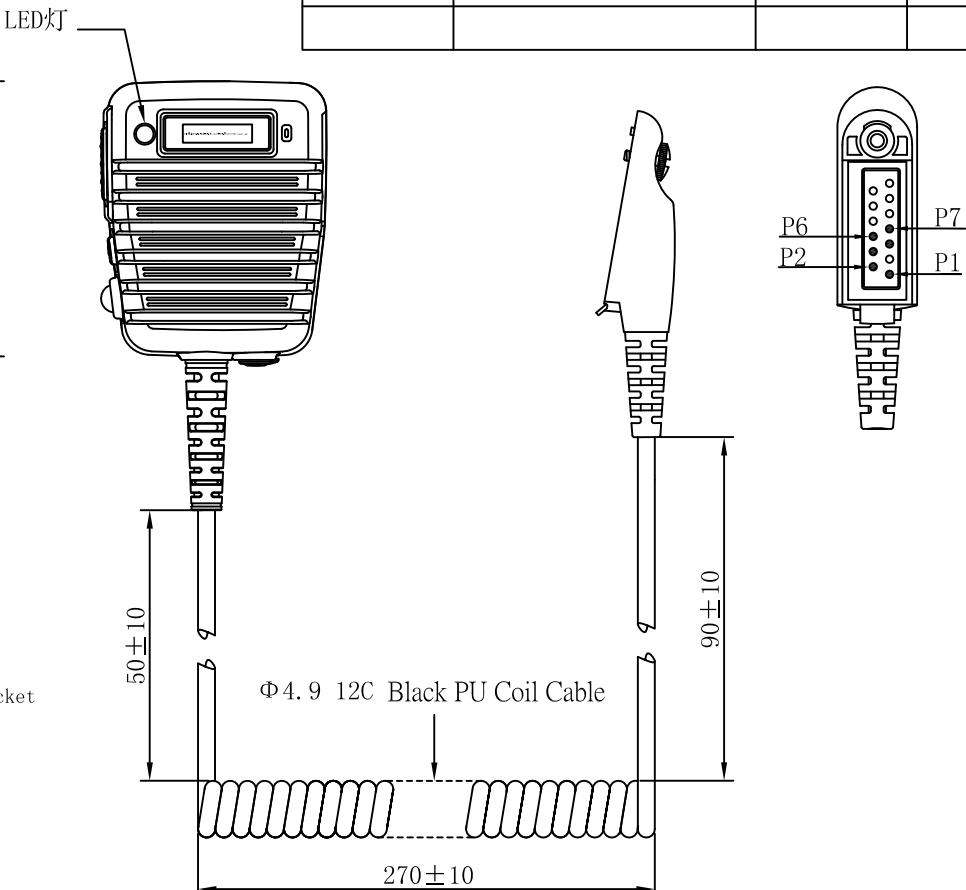
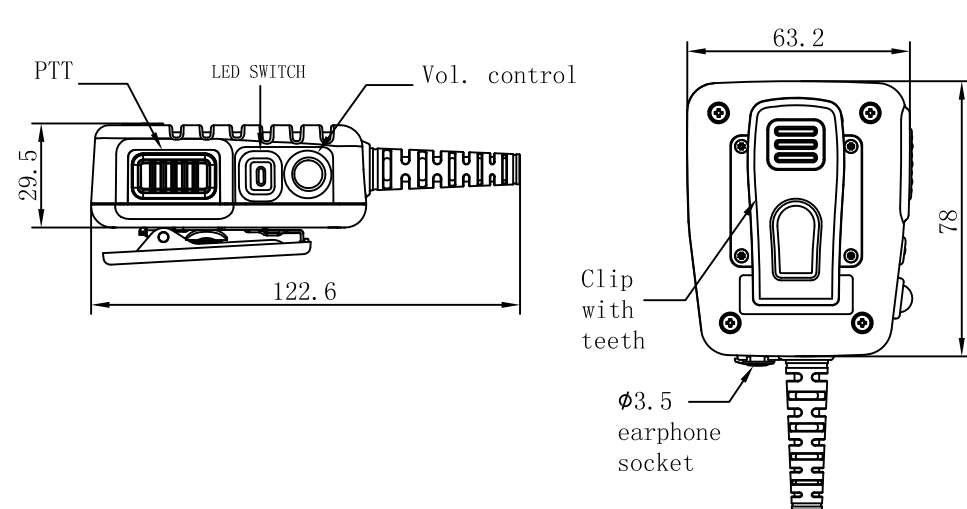


Rev.	Description	Date	By



		Part Number	
		ES-M12M4	
Unit:	mm	Title	
Date:	2014/03/20		
Drawing #:	GT-361V M4		
Draw:	HF	Customer Approve:	
Check:			

Confidential document DO NOT transfer or copy to any unauthorized third party. Any violation will be prosecuted with relevant legal liability.